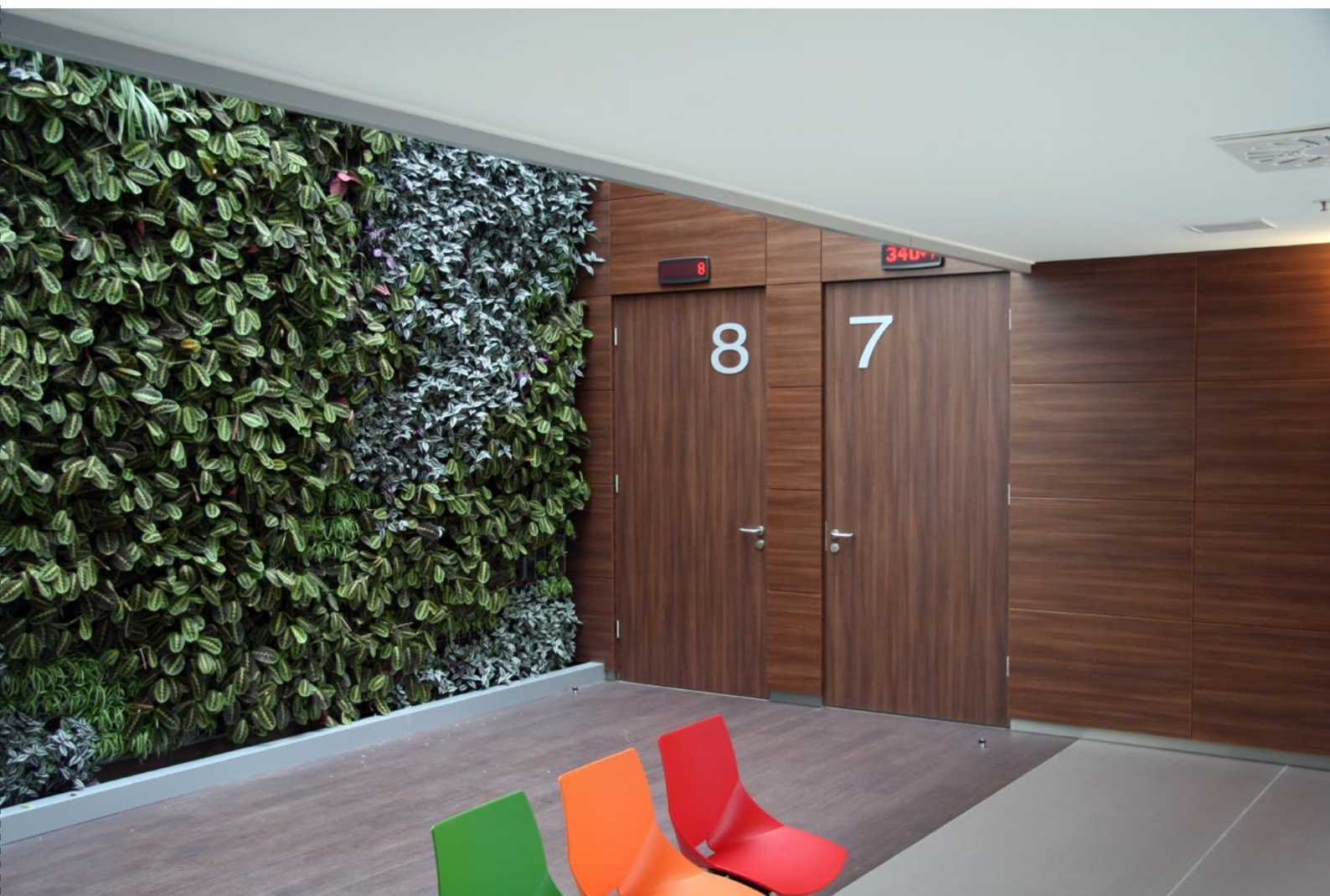


Līva AB Nord

DOOR DESIGN, PRODUCTION AND INSTALLATION



HIGH QUALITY MATERIALS | CERTIFIED PRODUCTS
PROFESSIONAL INSTALLATION



NEW PRODUCT DEVELOPMENT AND INNOVATION

The construction industry nowadays is driven by sustainability and efficiency. Therefore, also in related seemingly conventional industries such as door manufacturing it is important to look for long lasting products and extended product durability. This is why we at *Liva AB Nord* seek to extend the limits of performance of wood as a raw material making new product development our top priority.



Wooden sound insulating door

Sound insulation and privacy related to that nowadays is required in apartment houses and private living space as much as in hotels, schools and concert halls. We can offer wooden doors of any design with lower airborne sound insulation indexes R_w (28dB–39dB). Production suitability to standard LVS EN ISO 717-1:2000/A1:2006 is monitored by AS *Inspecta Latvia*.



EI30 class fire resistant wooden door

The demand for increased fire safety is not only a trend in public and administrative buildings but becomes a more common choice for private customers in their private living spaces. Our certified products ensure the safety together with a warm and cozy design of wood. The certification process of such products is very strict and only some changes can be made from the initial tested design. Therefore, we have performed multiple fire resistance tests to be able to offer a wide range of designs of fire resistant door.



3rd class dimension precision

One of our priorities is to offer specialized products exactly adjusted to customer needs. Therefore, we produce door with certain size to perfectly fit the wall opening. The size precision is guaranteed by the third class dimension precision certificate. Moreover, our new CNC machines guaranty a very high precision in hardware placement on door. The high size precision ensures a smooth installation flow and shortens the time needed to spend at the construction site.



Burglary preventing wooden door

The latest development by our engineers is a production technology for doors that especially safe against burglar intrusion. We offer wood-based doors designed according to WK3 (RC3) safety class. Verification of compliance has been carried out in *ift Rosenheim* testing laboratory in Rosenheim, Germany.



INTERNAL WOODEN DOORS

- *Liva AB Nord* is able to produce a wide range of veneered, painted or HPL faced wood-based doors. The door leaf is made from a solid wood frame and a particle board. The leaf is covered with MDF to ensure different facing possibilities.
- Due to its durability and easy maintenance HPL is the most commonly used facing in hospitals and other public buildings. Veneer on the other hand will provide smooth and more natural sense of wood. Painted doors is a top choice in schools and kindergartens.
- Several door frame solutions are possible depending on the wall thickness. Wooden as well as aluminum door frames are commonly used in public buildings.
- It is possible to design specialized doors for any kind of requirements. Our customers should not feel limited by the traditional choice of designs. We will see what we can do about your ideas and almost certainly will find a way to realize them!
- Doors can be equipped with fittings suitable for evacuation needs. All our doors are designed and produced according to customer's wishes and needs. Hardware of any kind can be used to ensure uniqueness of your design.

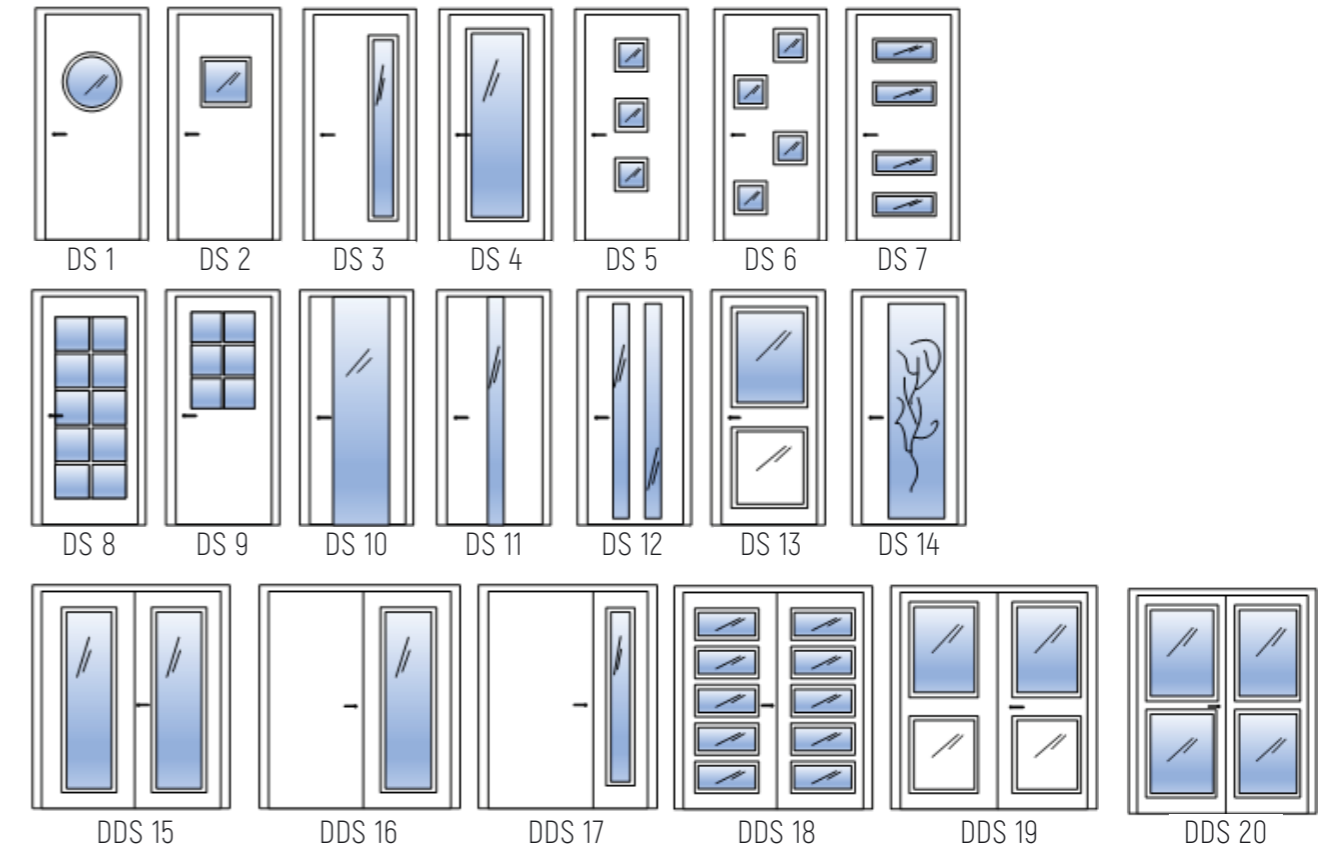


Our top door leaf facing and hardware suppliers

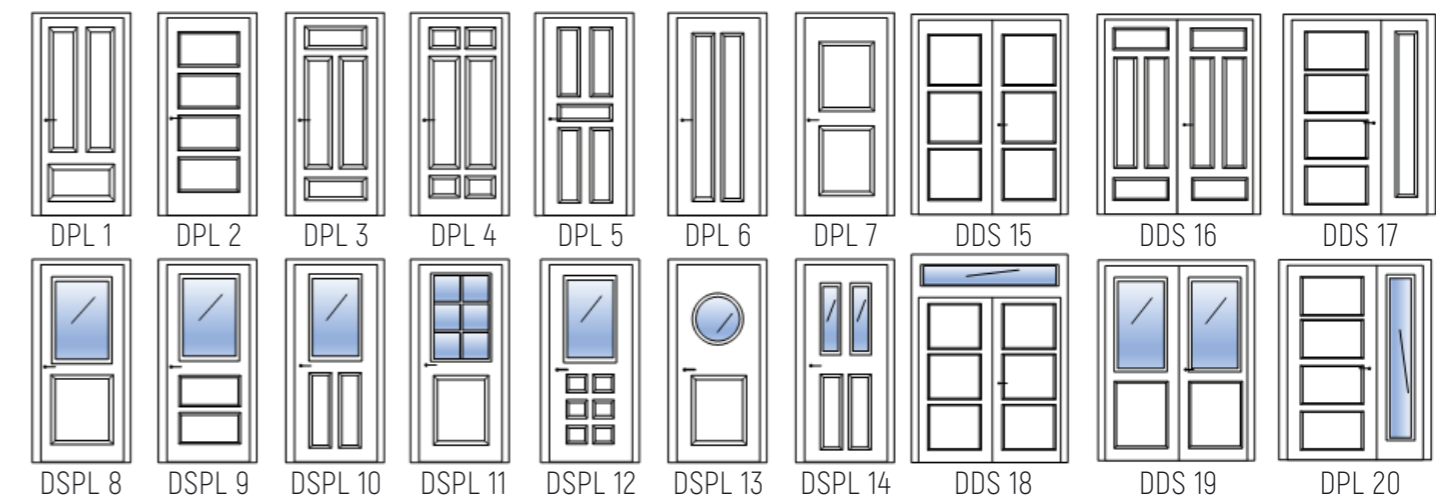


STANDARD DESIGN SOLUTIONS

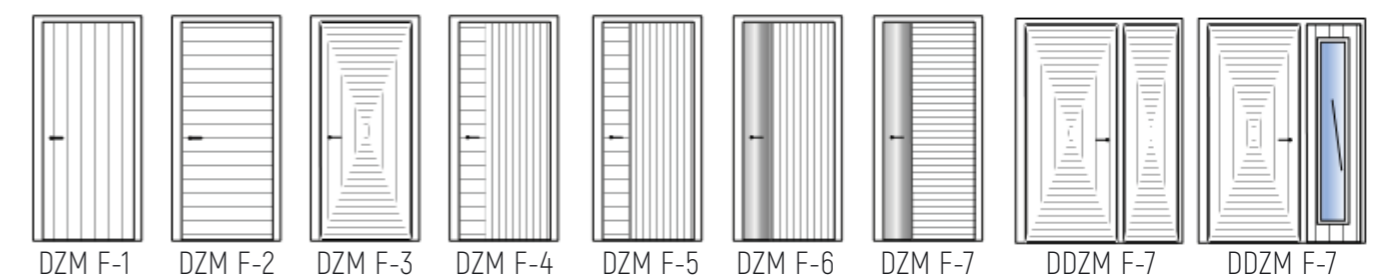
Door with glass



Paneled doors



Veneer pattern combinations



FIRE-RESISTANT DOOR

- As the demand for fire resistant wooden doors is constantly increasing we are developing and testing more and more products to ensure a wide range of designs for fire resistant door. Fire resistant doors are especially well suited for public institutions such as schools, administrative buildings, hospitals and hotels.
- The field of application of the tested doors is limited. Therefore, any changes to design of fire resistant

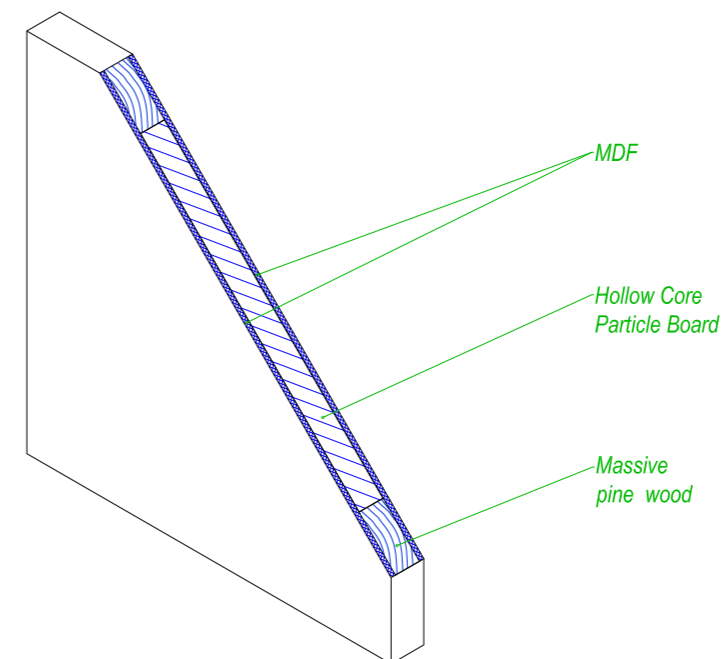
door should be consulted with our specialists. The hardware of door can vary in the same range of safety performance declared by the producer of the hardware.

- Verification of compliance has been carried out in TÜV Estonia Ltd FIRE Testing LABORATORY in Tallinn, Estonia. Based on testing results certificate of Conformity has been issued by AS Inspecta Latvia.



Our latest fire-resistant door tests:

Door type:	Single leaf wooden doors	Single leaf wooden doors with hidden hinge and hidden door closer	Double leaf wooden doors with a frame
Test standard:	EN 1634-1:2000	EN 1634-1:2000	EN 1634-1:2000
Fire resistance class	EI,30-C3, EI,30-C3, EW30-C3, E30-C3	EI,30-C3, EI,30-C3, EW30-C3, E30-C3	EI,30-C0, EI,30-C0, EW30-C0, E30-C0
Self-closing test	Category C3 (50 000 times)	Category C3 (50 000 times)	Category C0 (not tested)
Door frame size			
Height	Up to 2392 mm	Up to 2070 mm	Up to 2392 mm
Width	Up to 1265 mm	Up to 970 mm	Up to 2035.5 mm
Area	2.7456m ²	Up to 2.018 m ²	Up to 4.41792 m ²
Thickness	92 mm	92 mm	150 mm
Clear opening (door leaf)			
Height	Up to 2329 mm	Up to 2020 mm	Up to 2346 mm
Width	Up to 1190 mm	Up to 890 mm	Up to 983.25 mm
Area	Up to 2.515 m ²	Up to 1.798 m ²	2.0616 m ²
Door leaf thickness	46 mm	46 mm	52 mm
Facing	Paint, veneer or HPL<1.5 mm	Paint, veneer or HPL<1.5 mm	Paint, veneer or HPL<1.5mm
Accessories			
Hinge type	Argenta, type: RD25	TECTUS type: TE 340 3D	SBW BB807 89*89
Hinge amount	3 pcs	3 pcs	3 pcs on each leaf
Lock	BMH 1000 65/72/20	BMH 1000 55/72/24	BMH 1000 PZW
Door handle	Hafele, type: 903.92.586	JNF, type: IN.00.028.B	Marvon D020.25
Threshold	SCHALL-EX, type: L-15/30 WS	SCHALL-EX, type: L-15/30 WS	Wind-Ex A Athmer
Striking plate	Svenska Metallkompaniet, type: 94 0017	Svenska Metallkompaniet, type: 94 0017	Svenska Metallkompaniet, type: 94 0017
Door closer	GEZE, type: TS 2000 V BC	DORMA, type: ITS 96 + DOMRA type: G96 N20	GEZE, type: TS 2000 V BC
Cylinder	Wilka, 1481 (W5) 30/40	Wilka, 1481 (W5) 30/40	Wilka, 1481 (W5) 30/40
Glass type	-	-	Pyrobel 16



Inspecta



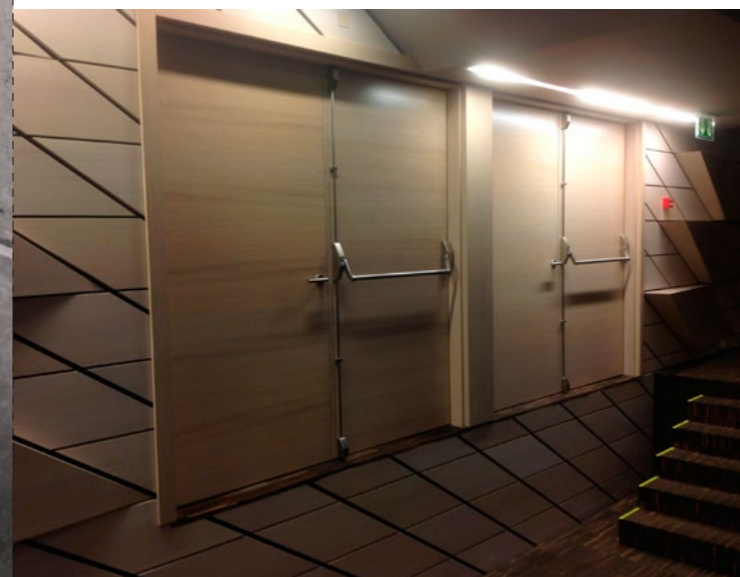


SOUND INSULATING DOOR

- Even a minimum noise can become troublesome after while. Not only companies and institutions have strict requirements for sound insulation but so do apartment buildings and hotels. *Liva AB Nord* sound-proofed doors prevent the sound pollution from disturbing the everyday life and well-being of individuals.
- *Liva AB Nord* soundproofed wooden doors ensures airborne sound insulation index up to $R_w \geq 40$ dB.
- Due to the special design of the door leaf and the seals used, the optimums sound insulation is achieved.
- It is possible to order doors with lower airborne sound insulation indexes R_w (28 dB–39 dB). Production suitability to standard LVS EN ISO 717-1:2000/AI:2006 is monitored by AS Inspecta Latvia.
- Calculations for the door leaf thickness are carried out to ensure the required sound insulation. Therefore, it should be taken in account that the door leaf thickness as well as the composition may vary depending on the required sound insulation level.
- *Liva AB Nord* sound insulation doors are mostly produced for con-cert halls, theaters, music schools as well as for hospitals and hotels.
- *Liva AB Nord* guarantees a project-specific planning and ensures simulated calculations of the airborne sound insulation index especially for every individual project.
- Tests of single and double leaf doors as wells as doors with glass have been conducted ensuring wide variety of available designs.

Door type:	12 layer doorset	12 layer doorset with a glass	16 layer doorset
Test standard	EN ISO 10140-(1-5)	EN ISO 10140-(1-5)	EN ISO 10140-(1-5)
Calculation standard	EN ISO 717-1	EN ISO 717-1	EN ISO 717-1
Airborne sound insulation index R_w	$R_w[C;Ctr] = 46 [-2; -6]$ dB	$R_w[C;Ctr] = 46 [-2; -6]$ dB	$R_w[C;Ctr] = 48 [-2; -6]$ dB
Clear opening (door leaf)			
Height	2215 mm	2215 mm	2215 mm
Width	975 mm	975 mm	975 mm
Door leaf thickness	90 mm	99 mm	94 mm
Facing	Paint, veneer or HPL<1.5 mm	Paint, veneer or HPL<1.5 mm	Paint, veneer or HPL<1.5mm

Based on test results calculations are performed to acquire the necessary thickness of the door leaf for other sound insulation parameters

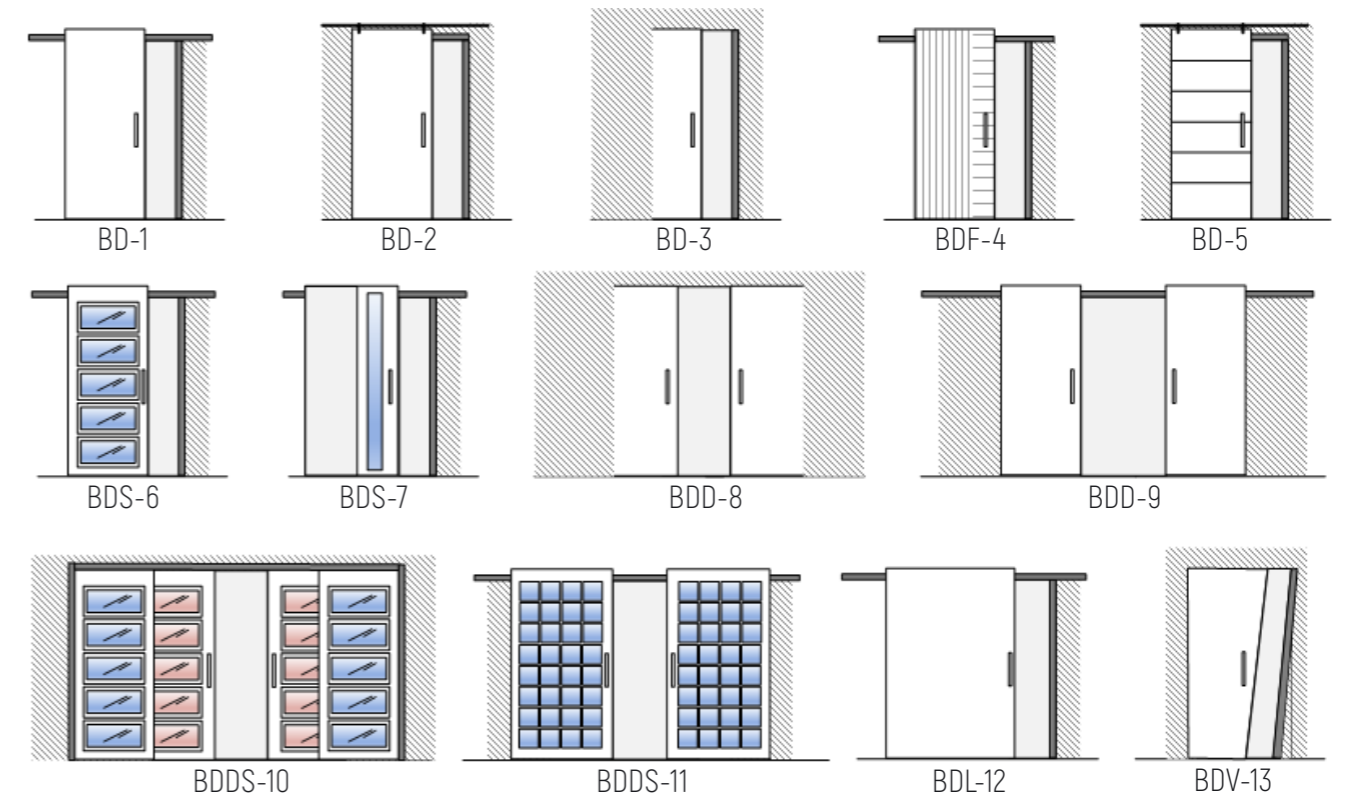




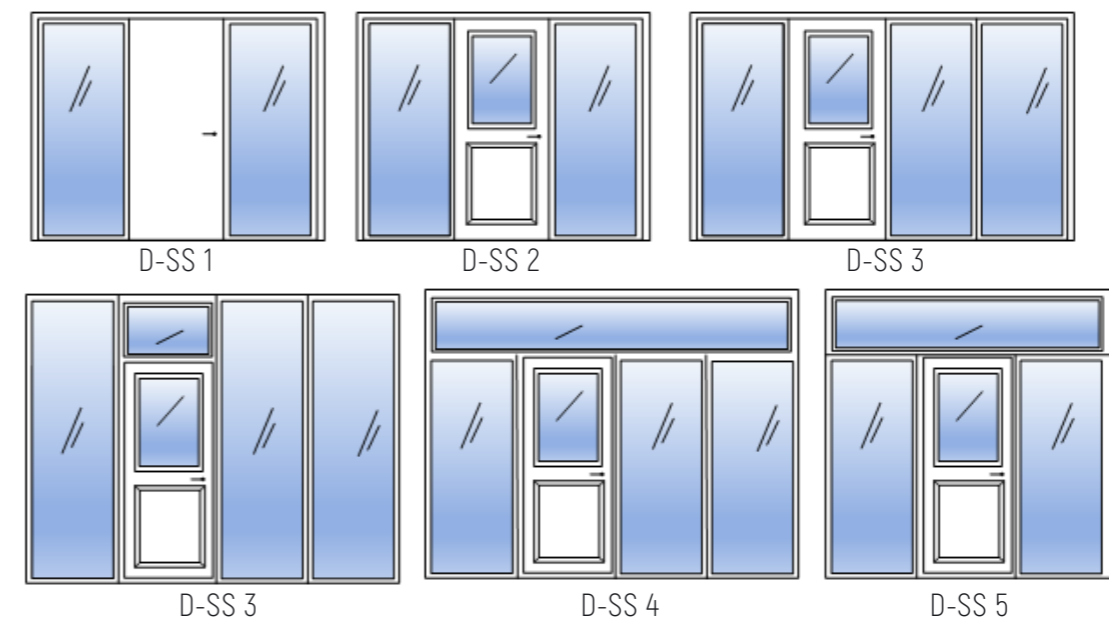
SLIDING DOOR AND GLASS WALLS

- Sliding door is often used as an ergonomic solution for limited space interiors. However, it can become an attracting design solution. Sliding door of any design can be produced at *Liva AB Nord*. The variety of sliding doors is unlimited. Starting with simply painted, veneered or HPL faced door leaves to picture placements on the door leaf.
- *Liva AB Nord* is specialized in glass wall production. Any completion with the door leaf is possible. Our designers will find a technical solution to fulfill any design ideas. It is possible to incorporate veneered, painted or HPL faced door leaves in the glass walls as well as to produce glass walls alone.

Sliding door

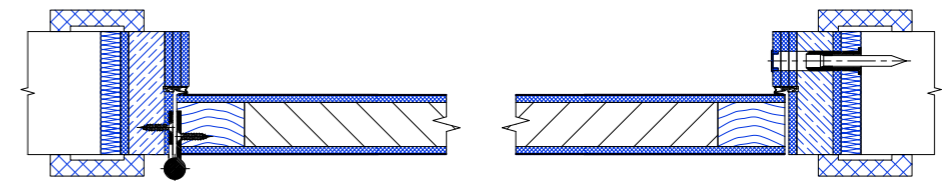


Glass walls

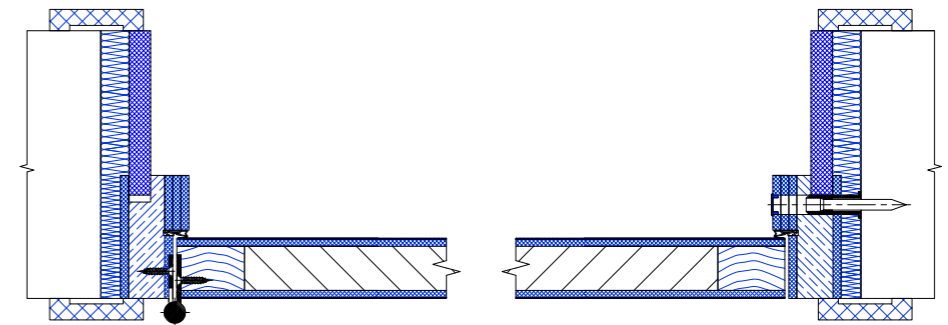




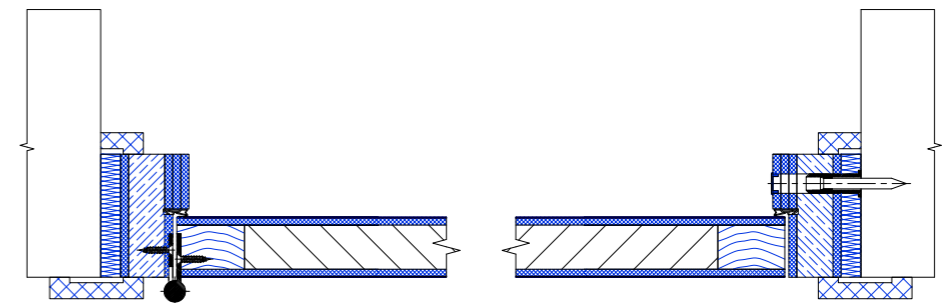
WOODEN DOOR FRAME SOLUTIONS



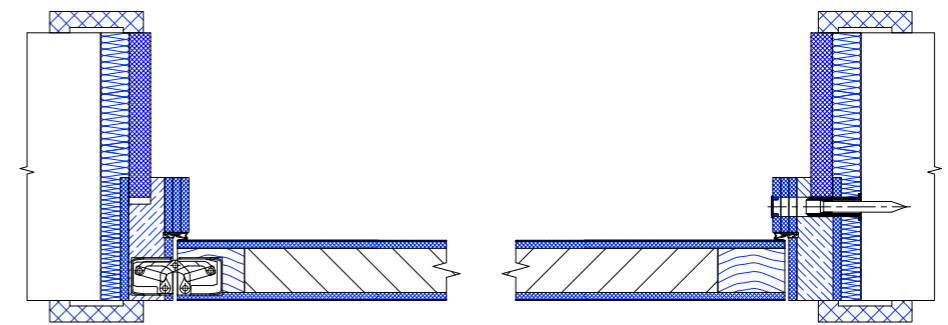
A. Simple wooden frame with two architraves



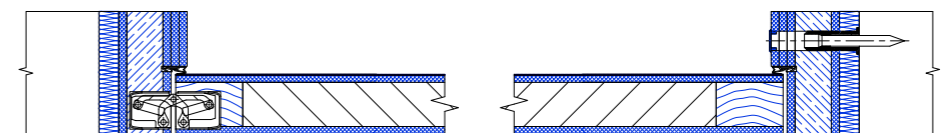
B. Widened wooden frame with two architraves



C. Wooden frame with a full architrave

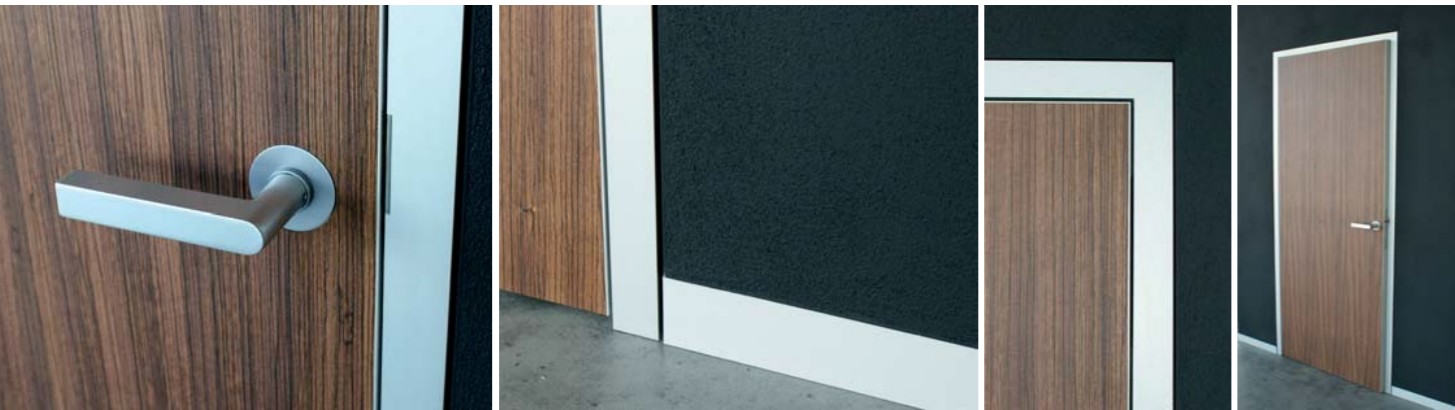


D. Widened wooden frame with two architraves and hidden hinges



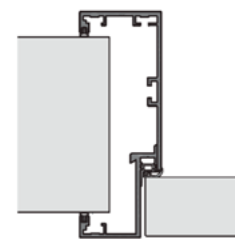
E. Simple wooden frame without architraves and hidden hinges

ALUMINIUM DOOR FRAME SOLUTIONS



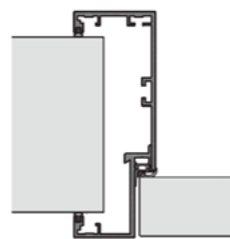
Metal door frame solutions become increasingly popular due to the durability and modern looks. Frames can be adjusted to any wall opening thickness ensuring easy installation.

Liva AB Nord is the only official **Küffner** cooperation partner and representative in the Baltic states. There are four basic product lines that divides in subcategories so you can find the most suitable solution for your design.



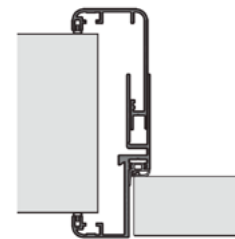
Series HARDLINE

Angular profile forms with radii ranging from 0.5 or 2 mm, favored in contemporary architecture and application in the public sphere, such as in banks, insurances companies and public administration.



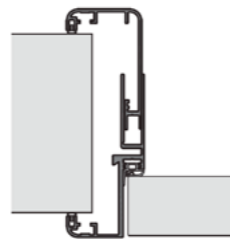
Series SLIMLINE

Extremely slim and angular shapes with radius of 0.3 mm and visible frame width of 10 mm or shadow gap for use in innovative and sophisticated architecture.



Series MODERNLINE

Modern shapes with compliant edge radius of about 8 mm, in particular for use in schools, kindergartens and public swimming pools.



Series ROUNDLINE

Functional shapes with edge radius of about 18 mm, for use in hospitals, nursing areas, sports facilities and schools.

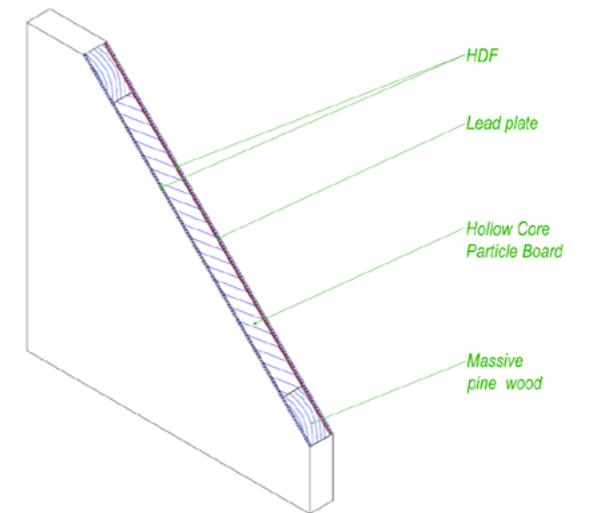


COMPLEX DESIGN SOLUTIONS

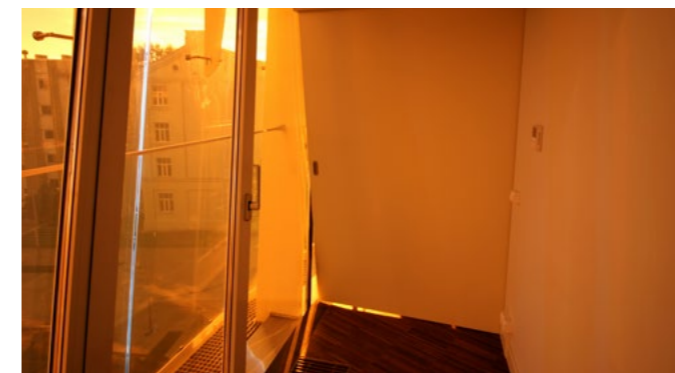
X-ray shielding door

Liva AB Nord produces range of doorsets providing various levels of X-ray protection.

An effective barrier to radiation in all directions is formed by placing a lead sheet in the door leaf. By varying thickness of the lead sheet the level of protection can be adjusted. MDF is placed on each side providing the choice of the door finish.



Uneven sliding door



A picture of your choice on a door leaf



Supersized door



Wooden panels



Structured veneer facings



Mixed materials - wood with leather



Līva AB Nord

Door design, production and
installation

[Home](#) [About](#) [Products](#) [Certificates](#) [Projects](#) [Gallery](#) [Contacts](#) [Partners](#)

LV ENG GER RUS

Projects

You can find our products in wide range of objects all around the country as well as across the border. We specialize in producing doors for hospitals, concert halls and theaters, kindergartens and schools, official government buildings and hotels. However, our products can be seen in many other projects.

Latest projects



Liva AB Nord is one of the leading door producers in Baltic States. Our specialists have more than 20-year experience in door production. Our top priority is to ensure the quality and durability of our products. *Liva AB Nord* is where unlimited design possibilities meet technical solutions ensuring the best result for your interior.

Strong cooperation ties have been established with biggest local construction companies and well known architects just as with specialists across the border. Our products are certified at internationally recognized institutions. To find out more about projects realized so far and to gain ideas for your interior visit our website!

www.livaabnord.com

Līva AB Nord

Lagatas L, Marupe district, LV-2167, Latvia

Phone: +371 6745 33 13

+371 2922 83 11

info@livaabnord.lv

www.livaabnord.com

Inspecta

